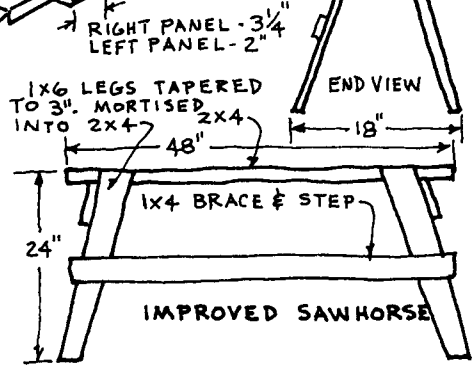
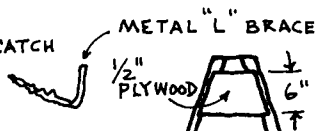
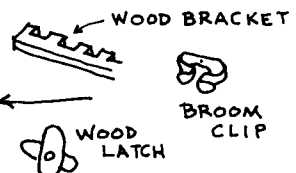


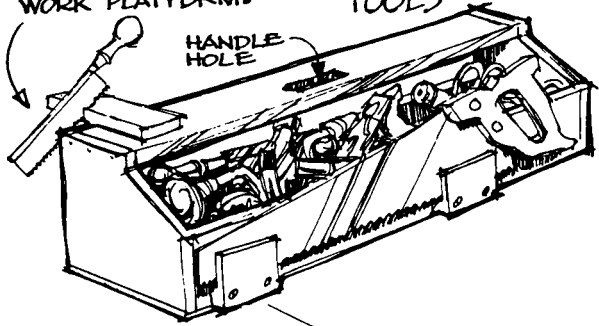
**LEATHER APRON**



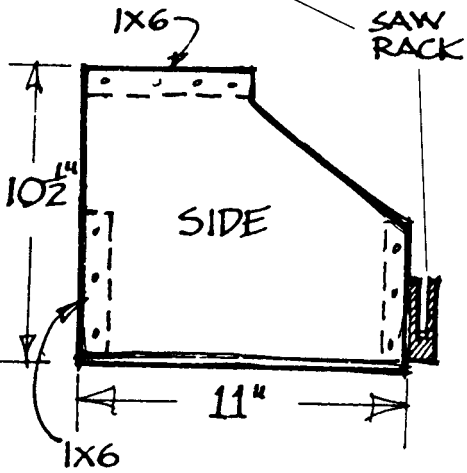
**30.1 TOOL ACCESSORIES**

TOP OF TOOLBOX  
SERVES AS A HANDY  
WORK PLATFORM.

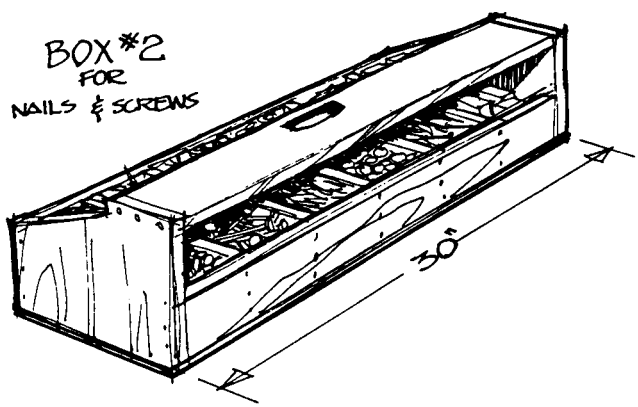
BOX #1  
FOR  
TOOLS

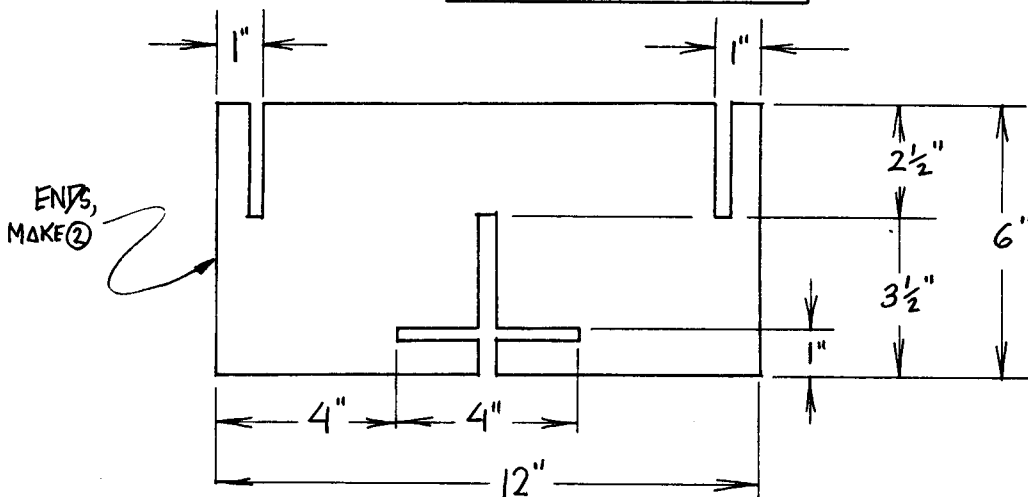
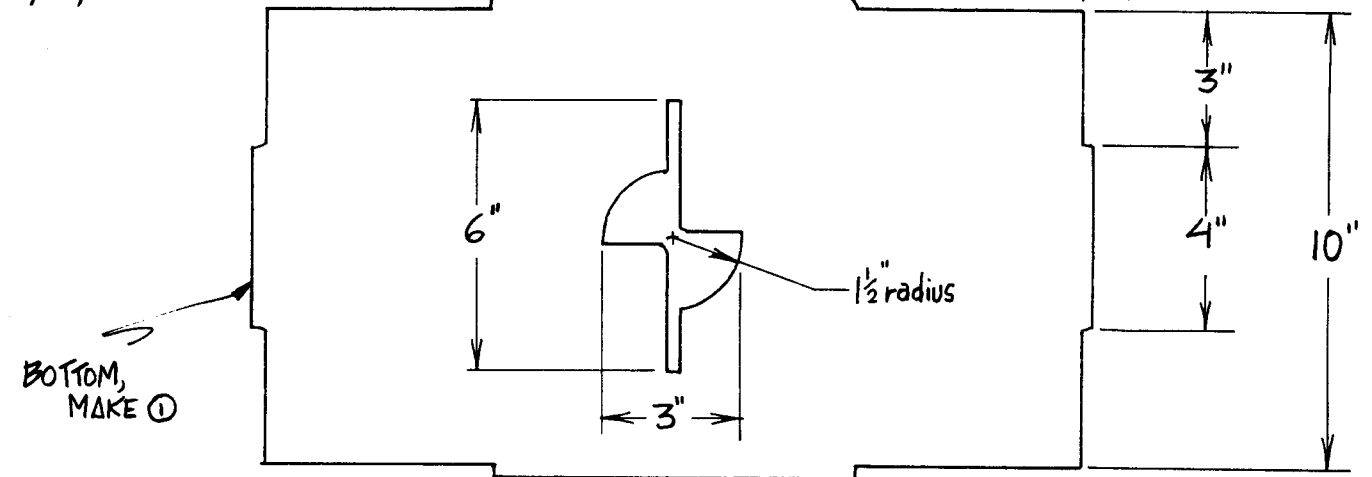
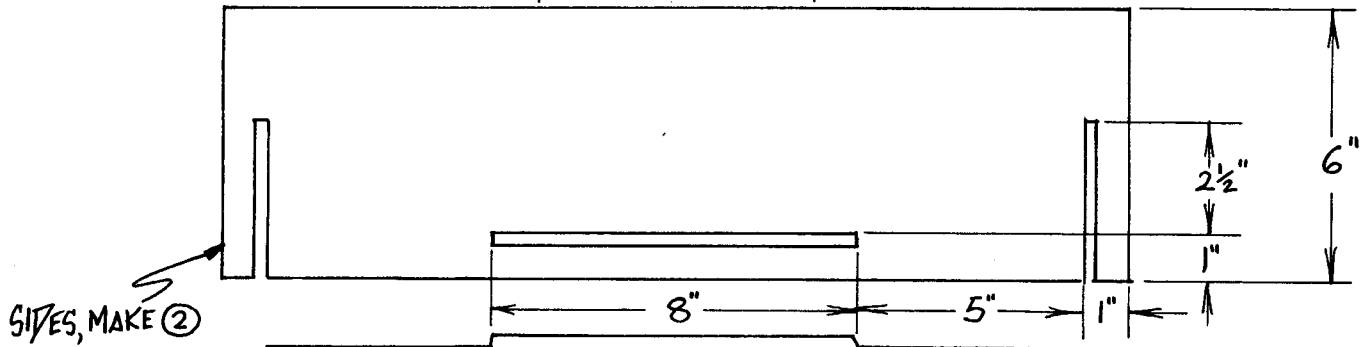
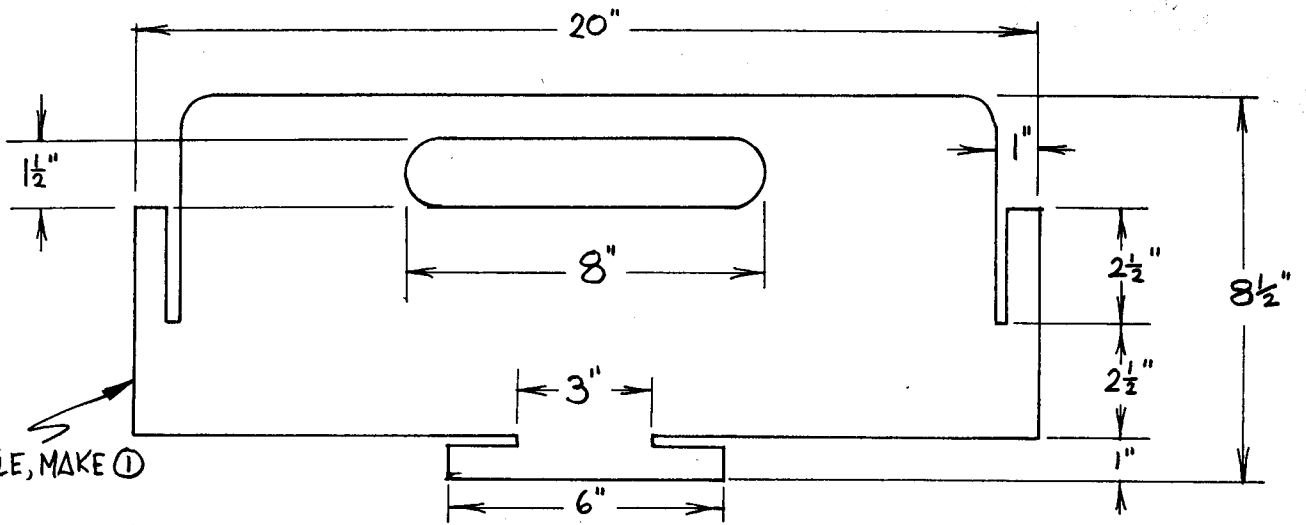


HANDLE  
HOLE



BOX #2  
FOR  
NAILS & SCREWS





Notes: IF YOU USE 3/8" PLYWOOD, SLOTS WILL BE SLIGHTLY OVER 3/8" WIDE. IF YOU USE A DIFFERENT MATERIAL, MAKE ALL SLOTS SLIGHTLY WIDER THAN MATERIAL THICKNESS.